



**ENTRUST**

## Quick Install Guide

---

### **Entrust Artista® CR805 Retransfer Card Printer**

May 2021

527692-001EN, Rev J

**WARNING:** This product contains chemicals, including lead, known to the State of California to cause cancer, and birth defects or other reproductive harm.

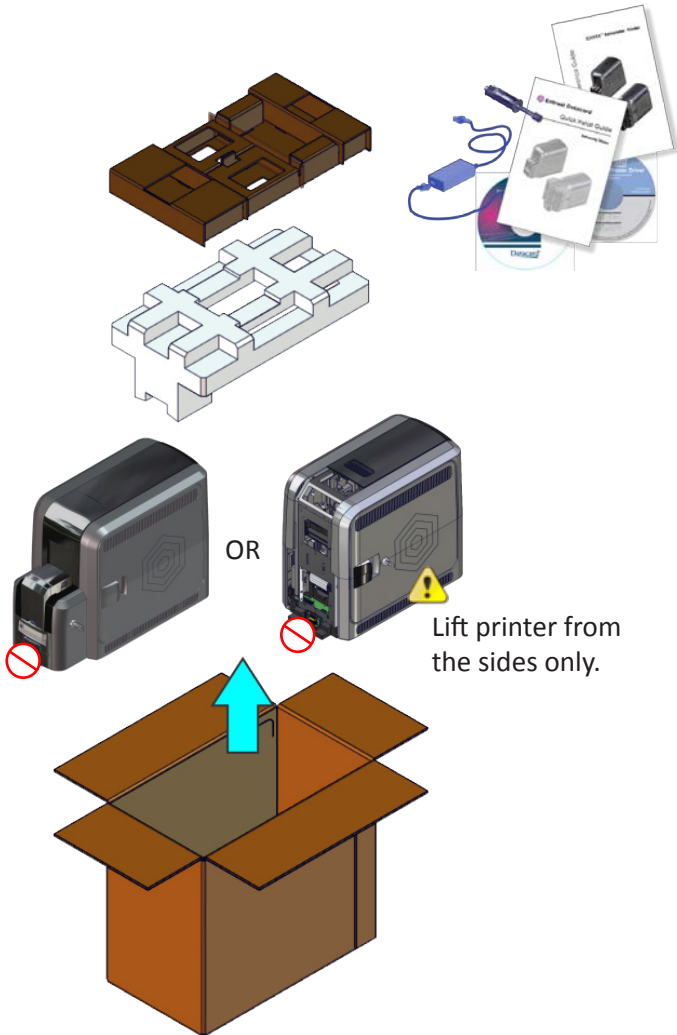
***Wash hands after handling.***



**WARNING:** This product can expose you to chemicals including Di(2-ethylhexyl)phthalate (DEHP), which is known to the State of California to cause cancer, and Di(2-ethylhexyl)phthalate (DEHP) and Butyl benzyl phthalate (BBP), which are known to the State of California to cause birth defects or other reproductive harm. For more information, go to [www.P65Warnings.ca.gov](http://www.P65Warnings.ca.gov) and [www.datacard.com/califpropwarning](http://www.datacard.com/califpropwarning).

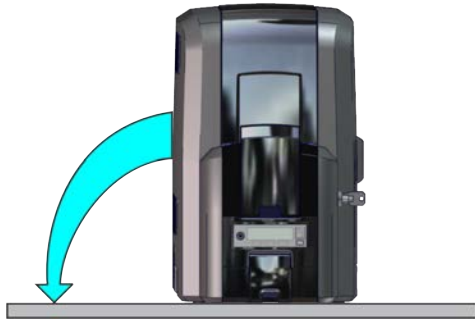
For detailed installation instructions, refer to the *CR805 Retransfer Card Printer Installation and Administrator's Guide*.

## 1 Unpack the Printer



## 2 Secure the Printer (Optional)

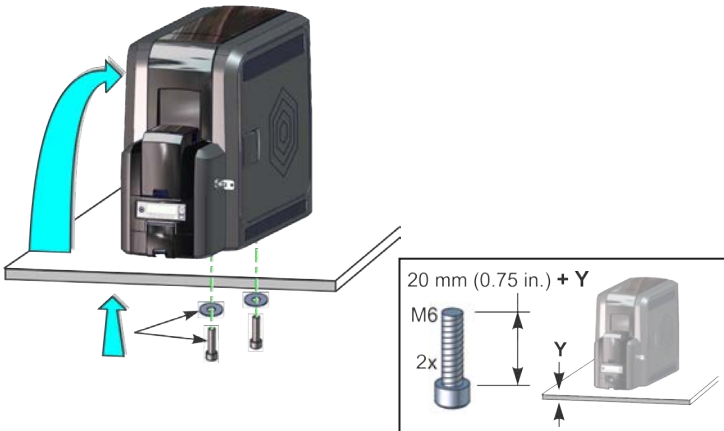
a



b

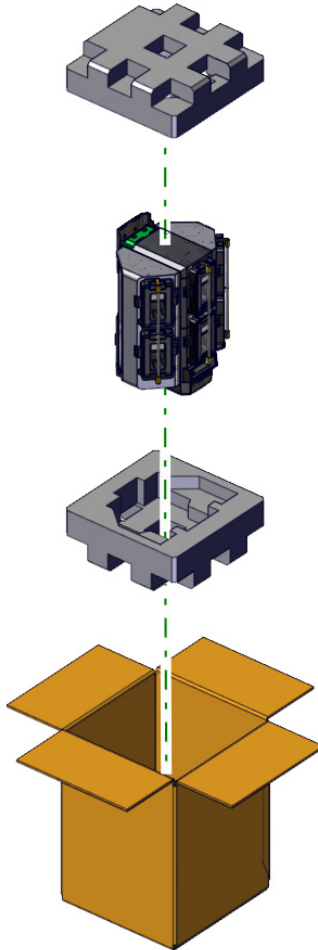


c



### 3 Install the Optional Multi-Hopper

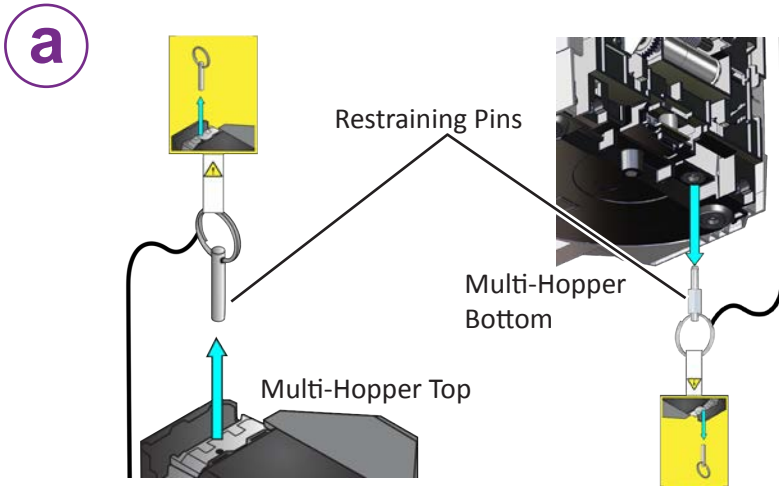
1. Unpack the multi-hopper.



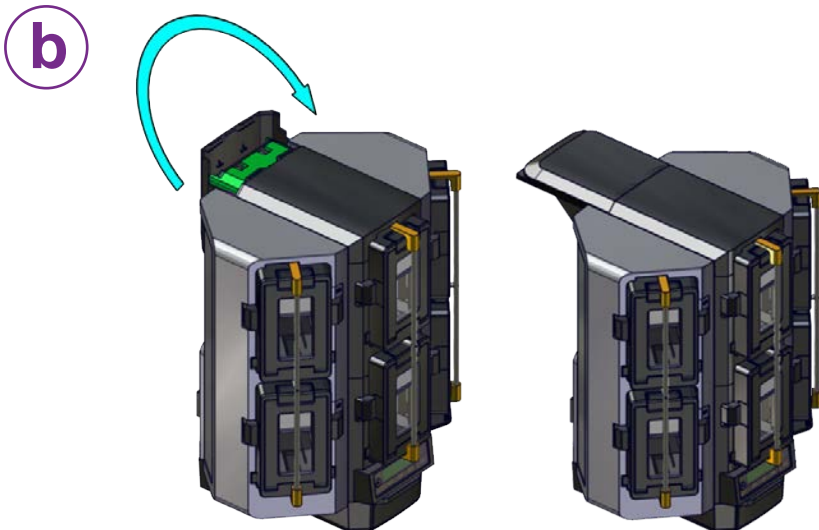
# CR805 Retransfer Card Printer

## Install the Optional Multi-Hopper (cont.)

2. Prepare the multi-hopper.

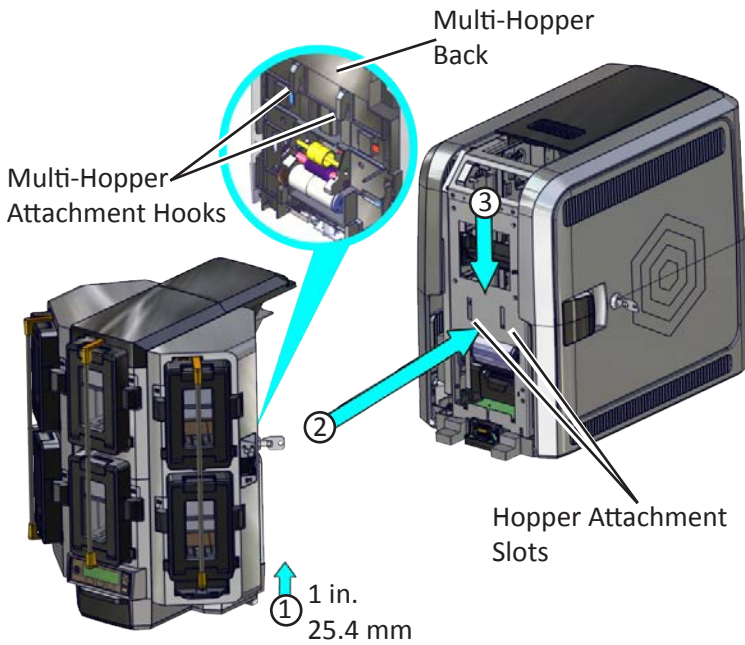


Save the restraining pins after removing them from the multi-hopper. They are required if you need to repackage and return the multi-hopper for service.



## Install the Optional Multi-Hopper (cont.)

3. Assemble the multi-hopper printer.

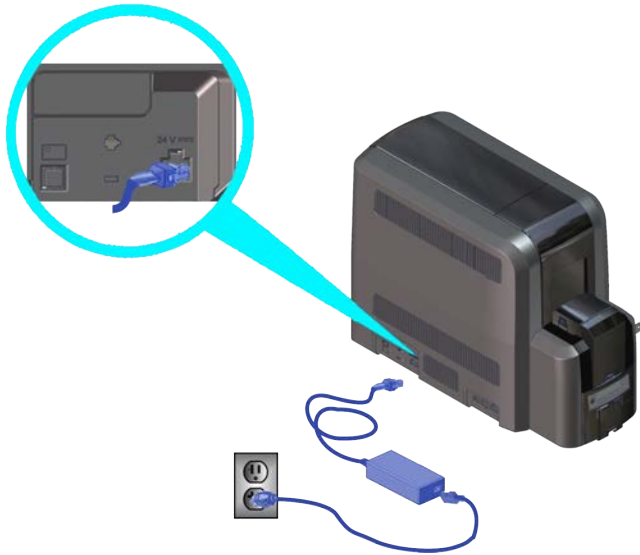


# CR805 Retransfer Card Printer

---

## 4 Plug In and Power On the Printer

a



b

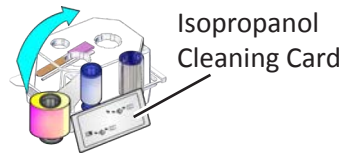




## 5 Clean the Printer

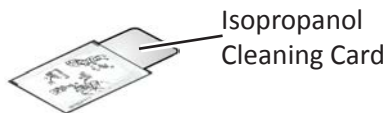
Remove the isopropanol cleaning card from the ink ribbon package. Continue with:

“Single-Hopper Printer” –OR–  
“Multi-Hopper Printer” on page 8



### Single-Hopper Printer

**a** Remove the cleaning card from its package.



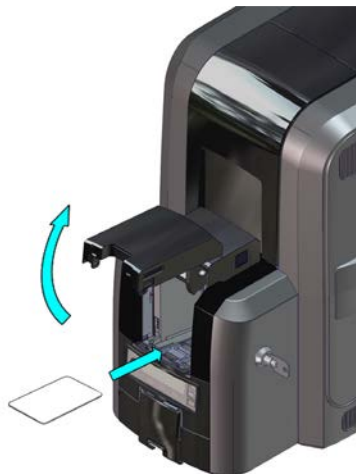
**b** Load the cleaning card in the input hopper.

If the cleaning card appears bowed, insert it as shown.

Card Without Bow



Card With Bow



**c** Continue with “Start the Cleaning Cycle” on page 9.

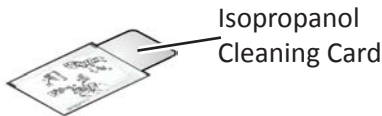
# CR805 Retransfer Card Printer

---

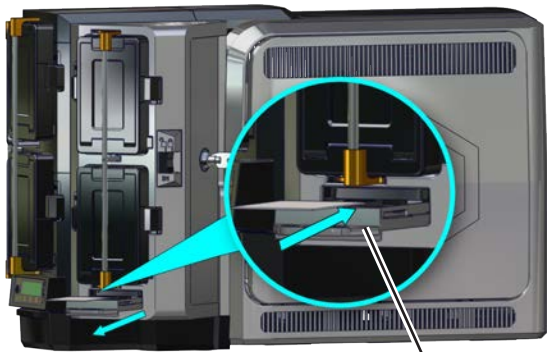
## Clean the Printer (cont.)

### Multi-Hopper Printer

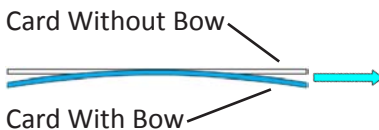
- a** Remove the cleaning card from its package.



- b**
1. Pull out the multi-hopper exception slide and insert the cleaning card.
  2. Push in the exception slide.



If the cleaning card appears bowed, insert it as shown.

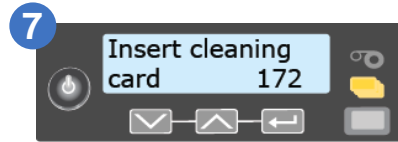
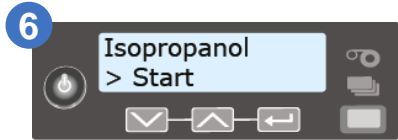
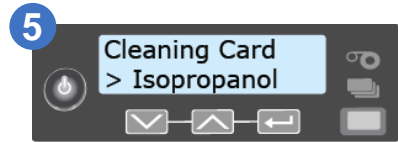
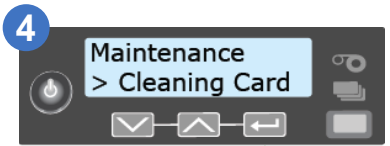
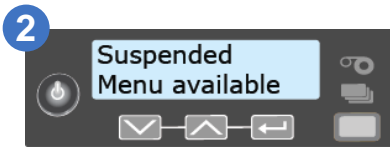
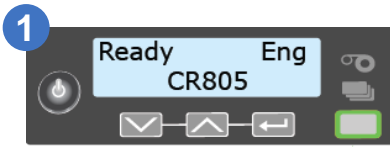


Exception Slide

- c** Continue with [“Start the Cleaning Cycle” on page 9.](#)

## Clean the Printer (cont.)

### Start the Cleaning Cycle

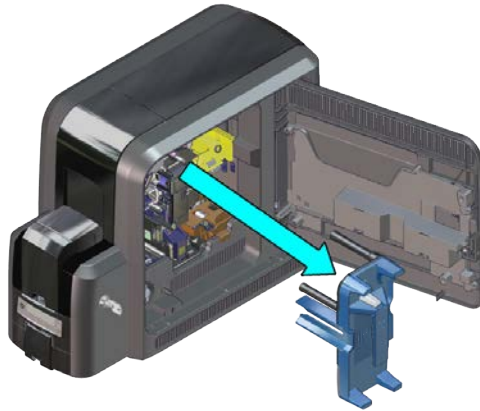


# CR805 Retransfer Card Printer

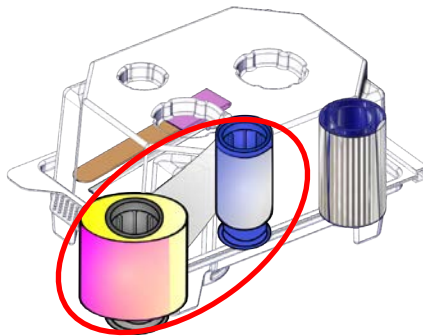
---

## 6 Install the Ink Ribbon

a

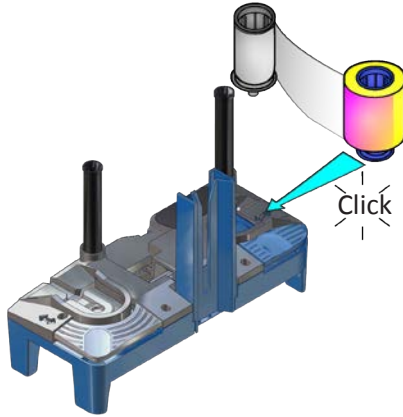


b

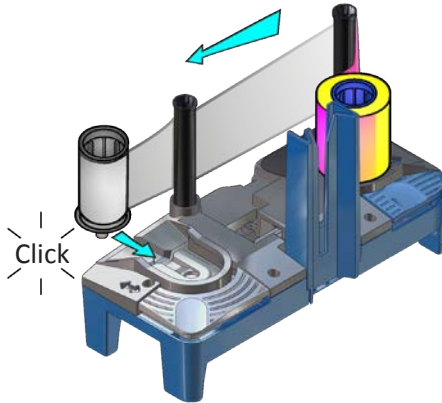


## Install the Ink Ribbon (cont.)

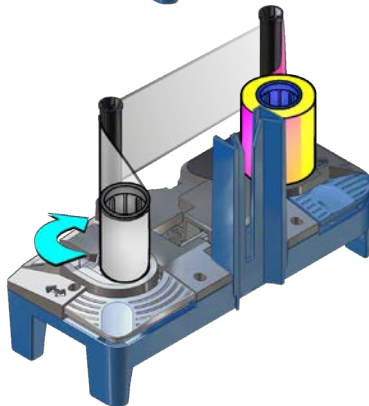
c



d

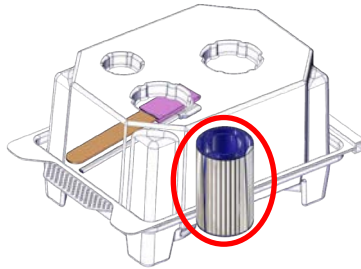


e

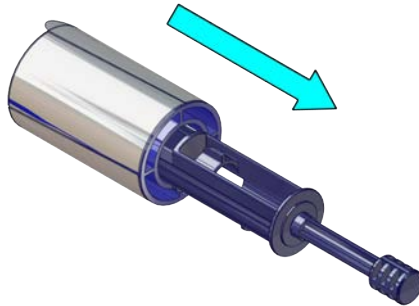


## 7 Install the Cleaning Sleeve

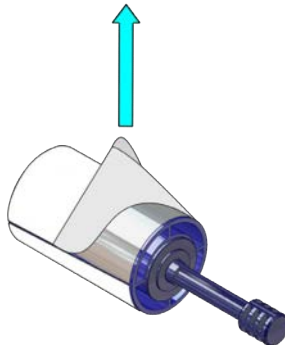
a



b

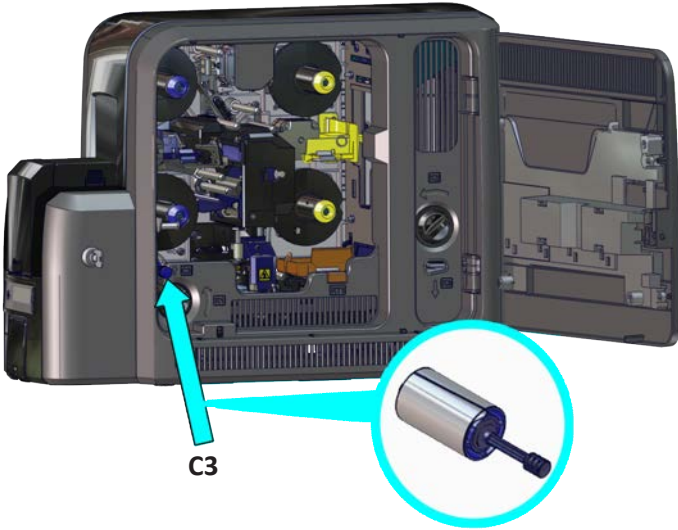


c

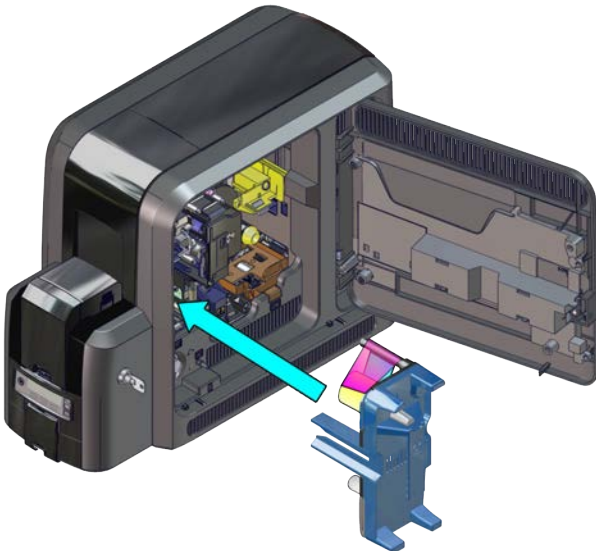


## Install the Cleaning Sleeve (cont.)

d

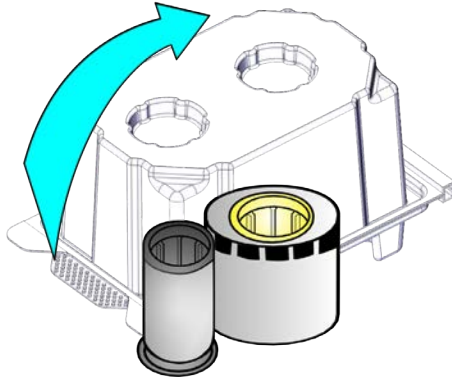


e

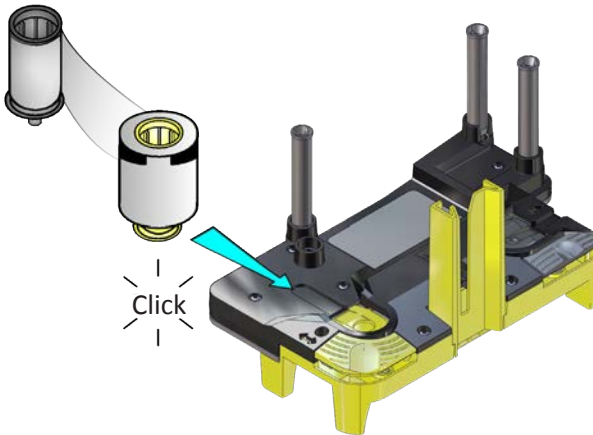


## 8 Install the Retransfer Film

a



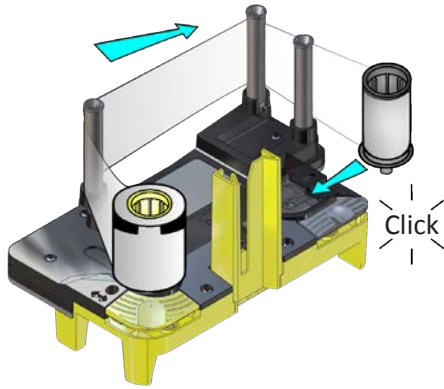
b



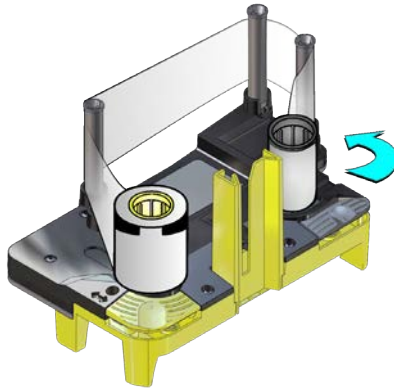


## Install the Retransfer Film (cont.)

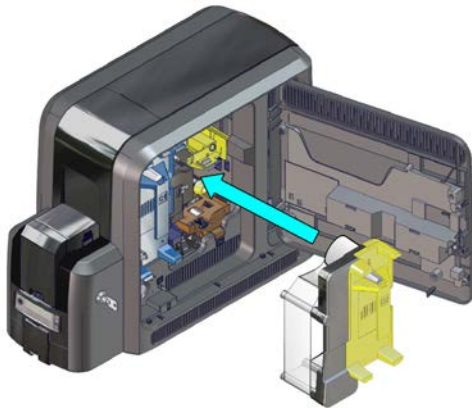
c



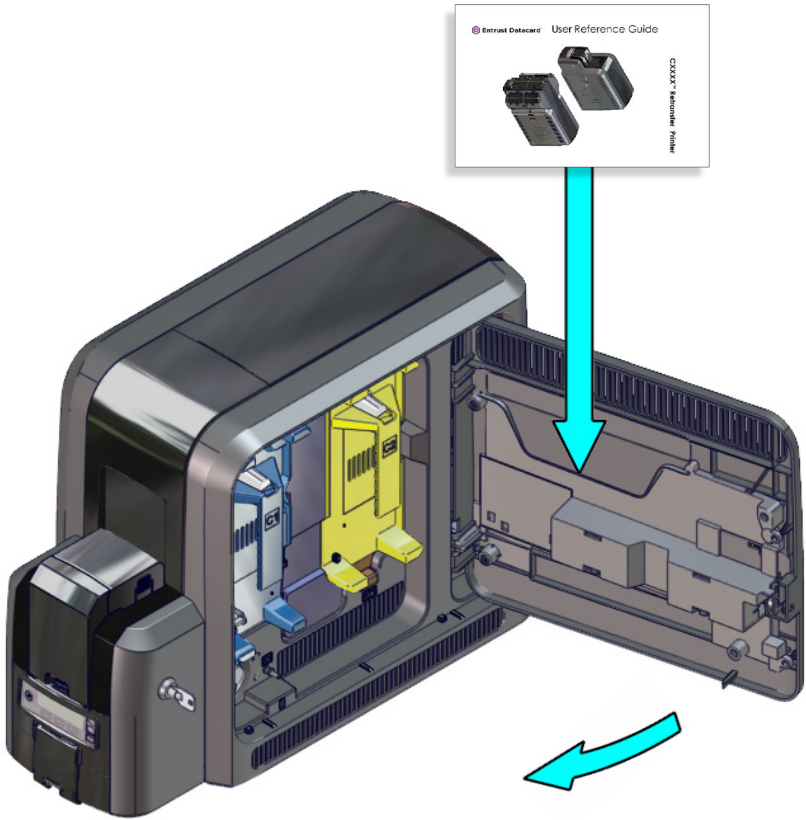
d



e



## 9 Store the User Reference Guide

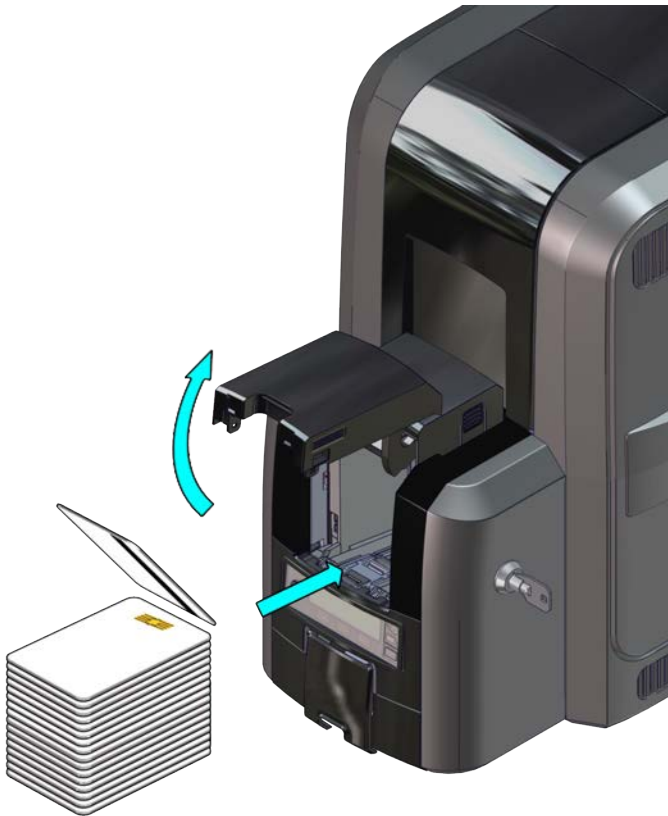


# 10 Load Cards

“Single-Hopper Printer”

“Multi-Hopper Printer” on page 18

## Single-Hopper Printer



# CR805 Retransfer Card Printer

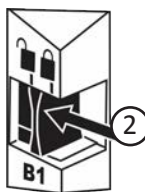
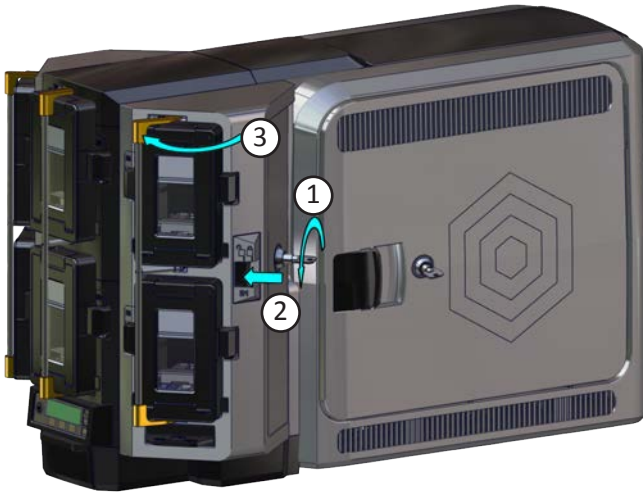
---

## Load Cards (cont.)

### Multi-Hopper Printer

a

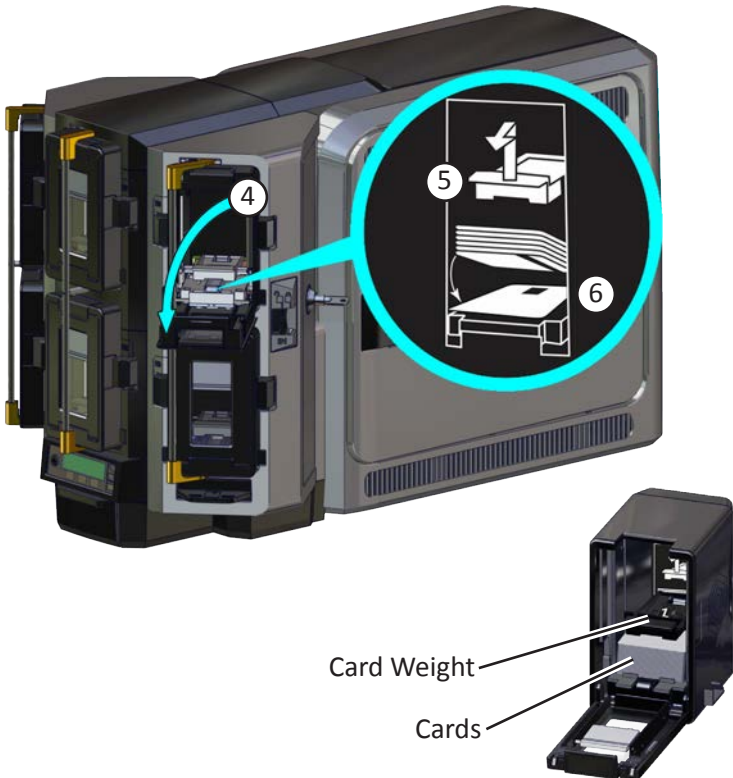
1. Unlock the multi-hopper lock.
2. Slide the lock bar release button (B1) to the left.
3. Rotate a lock bar to the left.



## Load Cards (cont.)

**b**

4. Press the cartridge release button at the top of the cartridge and open the cartridge door.
5. Lift the card weight to the top of the cartridge and pull it forward until it locks in position.
6. Load the cards into the cartridge.
7. Close the cartridge door to release the card weight so that it rests on top of the cards.



8. Repeat for each input hopper cartridge.
9. Return all locks to the locked position when finished.

## 11 Install the Card Printer Driver

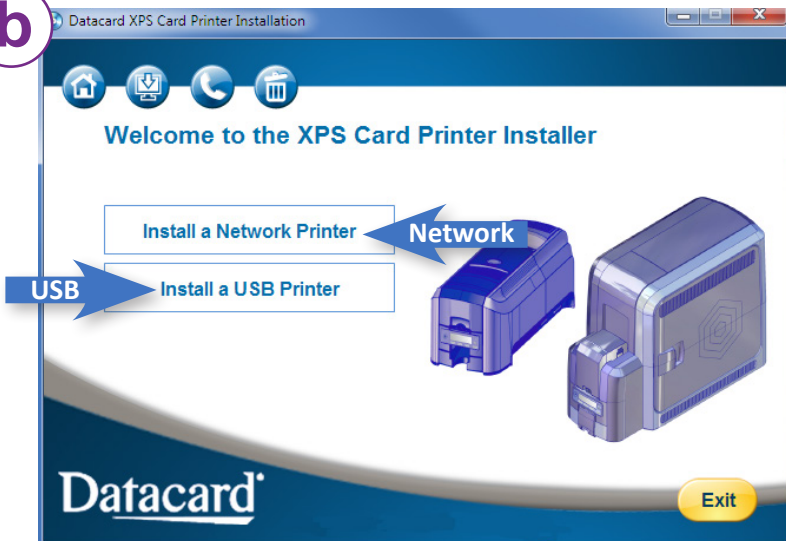


If you plan to use Entrust® Adaptive Issuance™ Instant ID as a Service (formerly TruCredential) software with a USB-connected printer, you must install the Card Printer Driver to establish the initial communication path to the printer.

a

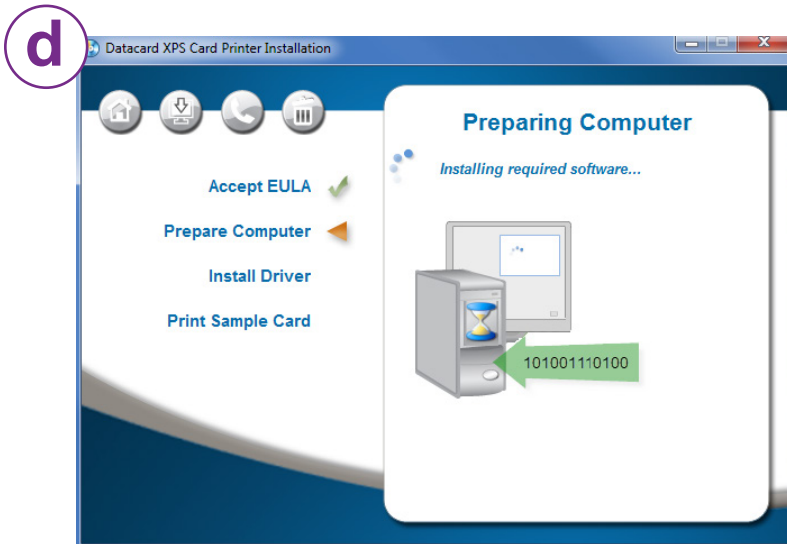
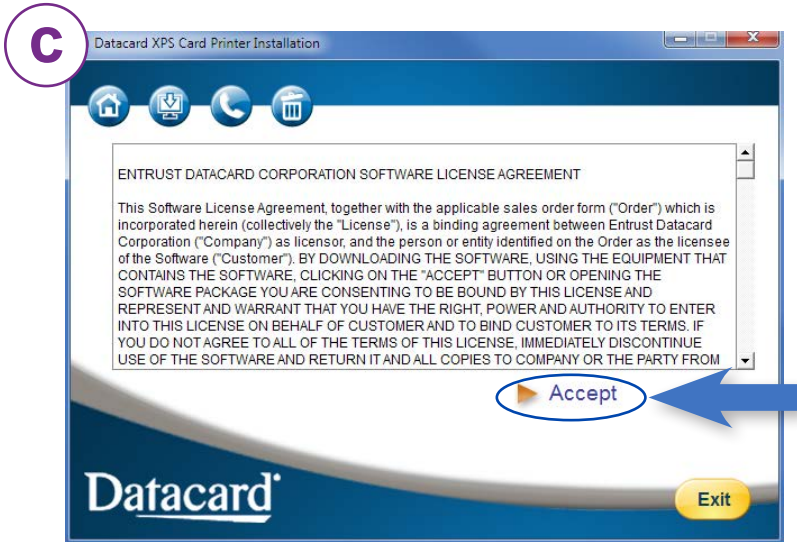


b



Do not plug in the USB cable until prompted.

## Install The Card Printer Driver (cont.)

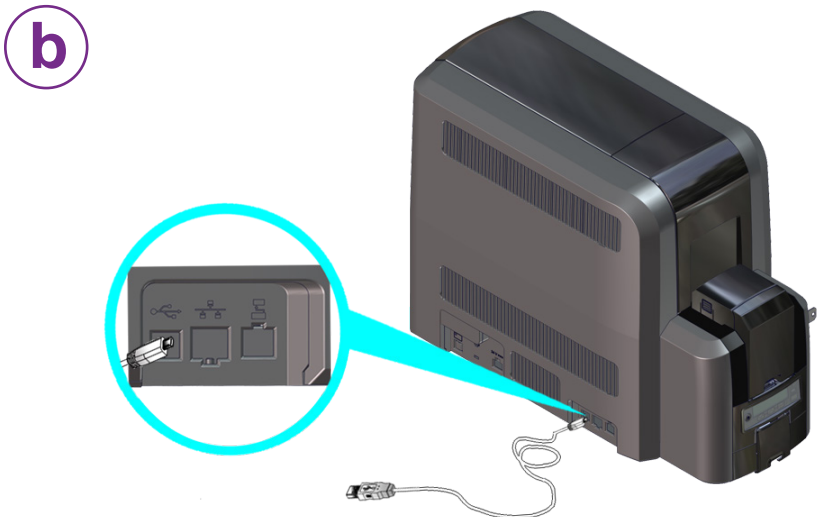
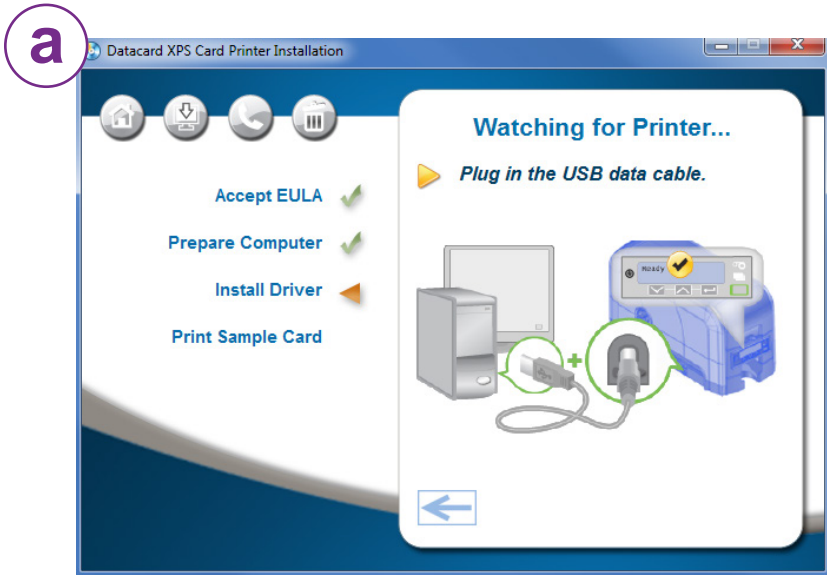


Continue with:  
"USB Printer" on page 22 –OR–  
"Network Printer" on page 24

# CR805 Retransfer Card Printer

## Install The Card Printer Driver (cont.)

### USB Printer





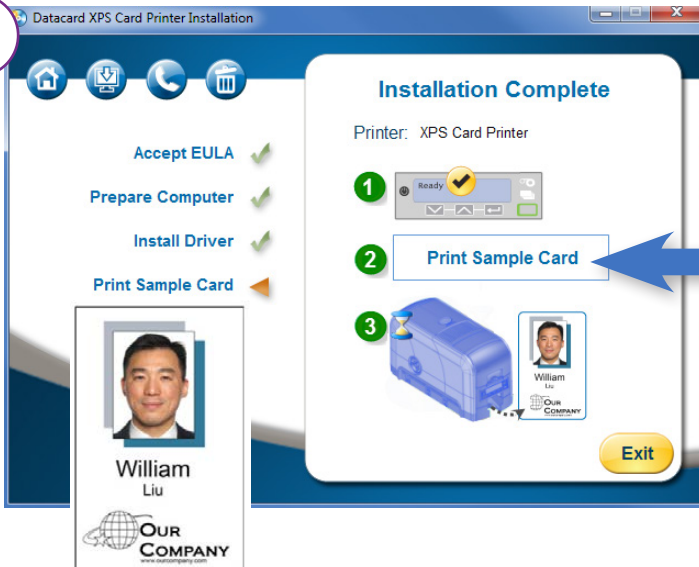
## Install The Card Printer Driver (cont.)

### USB Printer

c



d



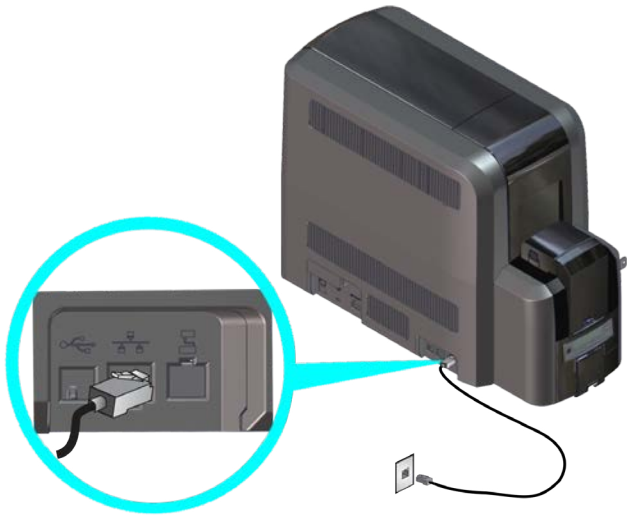
# CR805 Retransfer Card Printer

---

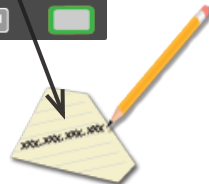
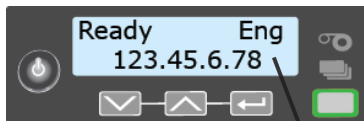
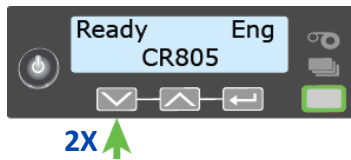
## Install The Card Printer Driver (cont.)

### Network Printer

a



b



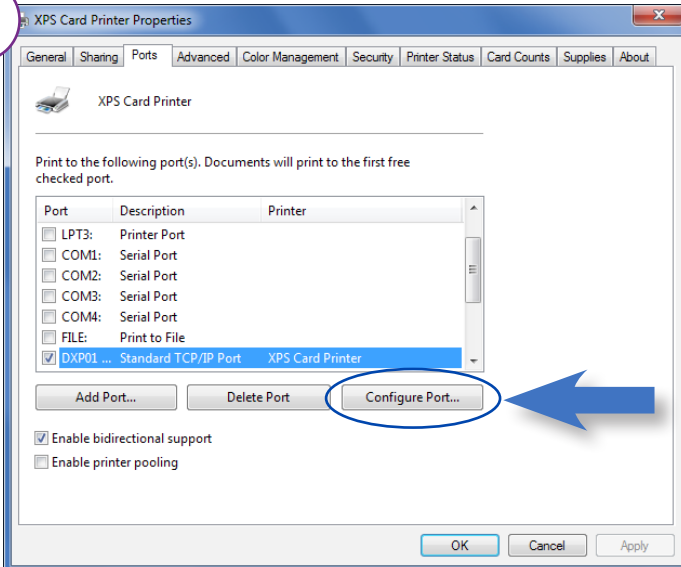
## Install The Card Printer Driver (cont.)

### Network Printer

**C**



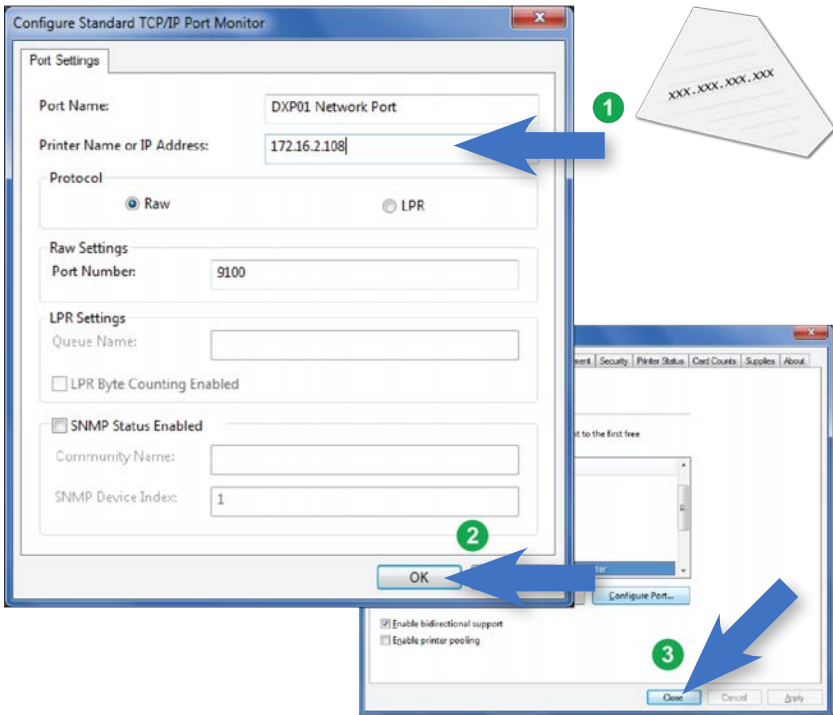
**d**



# CR805 Retransfer Card Printer

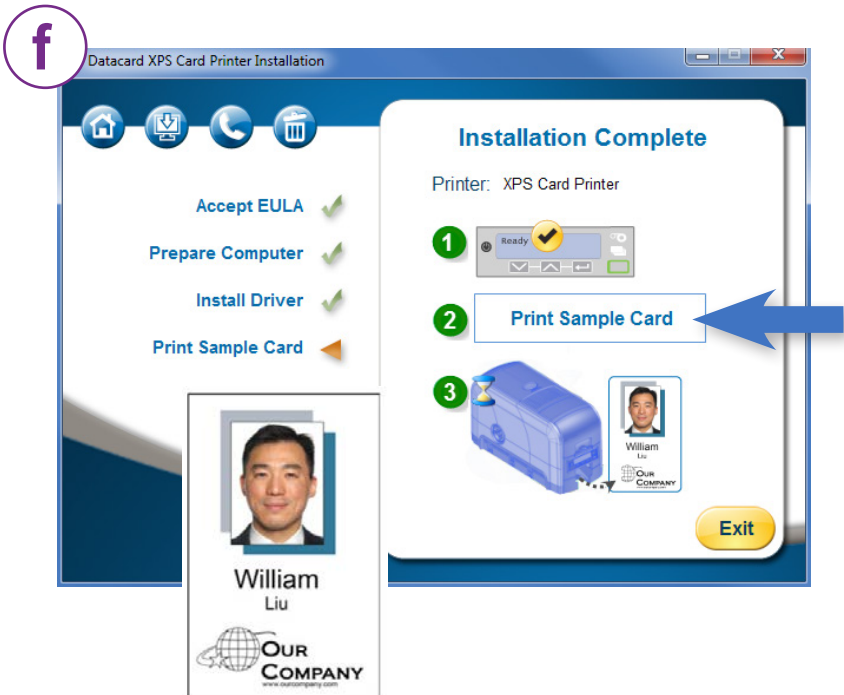
## Install The Card Printer Driver (cont.)

### Network Printer



## Install The Card Printer Driver (cont.)

### Network Printer



If you also are installing a CLM laminator with the printer, refer to the *CR805 Retransfer Card Printer CLM Laminator Quick Install and Upgrade Guide*, shipped in the laminator carton.

Please complete a brief survey about your product installation experience at:  
<https://www.datacard.com/datacard-product-installation-report>

# CR805 Retransfer Card Printer

---

## Notes

## Notes



**ENTRUST**

1187 Park Place

Minneapolis, Minnesota 55379

952.933.1223 • 952.933.7971 Fax

[www.entrust.com](http://www.entrust.com)

Entrust, Sigma and the hexagon design are trademarks, registered trademarks and/or service marks, and Datacard is a registered trademark and service mark, of the Entrust Corporation in the United States and other countries. All other trademarks are the property of their respective owners.

© 2016 - 2021. The design and information contained in these materials is protected