

ENTRUST

EM1 and EM2 Card Printers Quick Install Guide

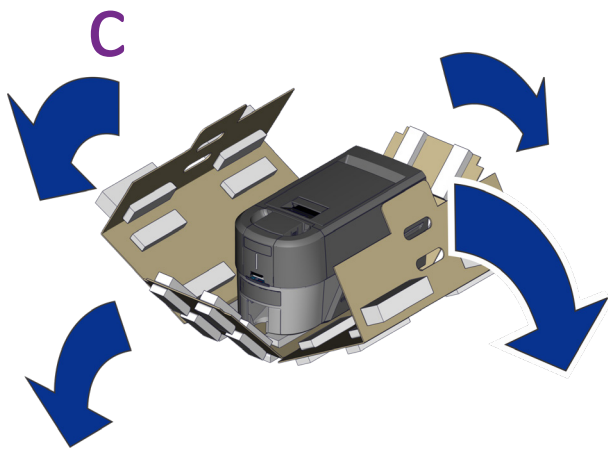
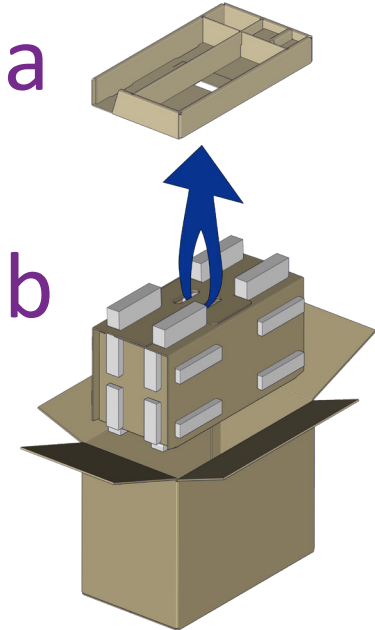


Do not continue unpacking this box until you have read these instructions.

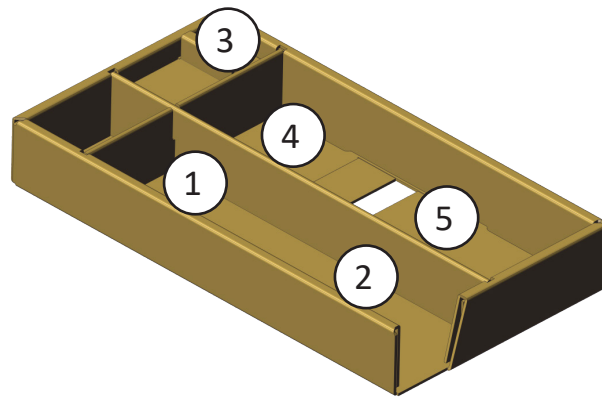


Read and follow these instructions to set up your Sigma printer.

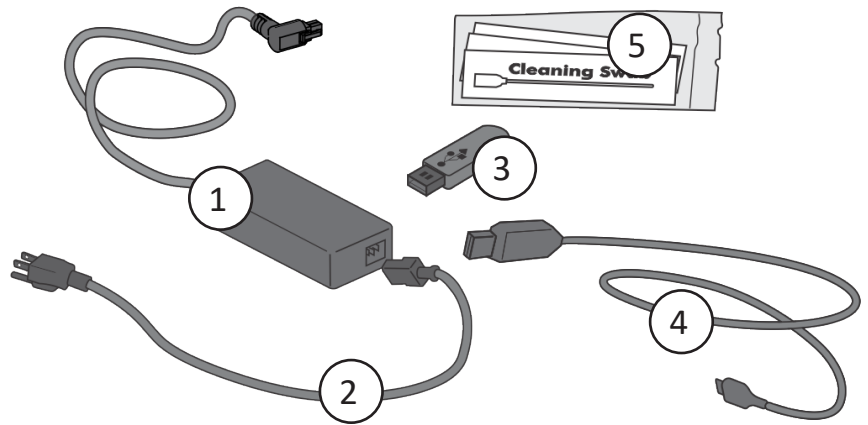
1



d

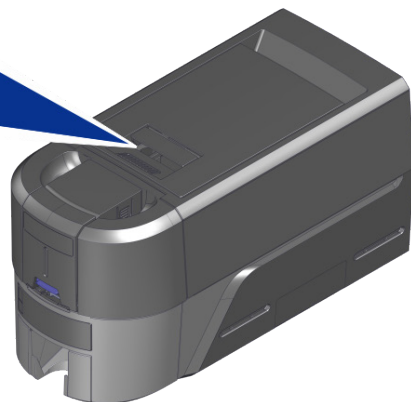
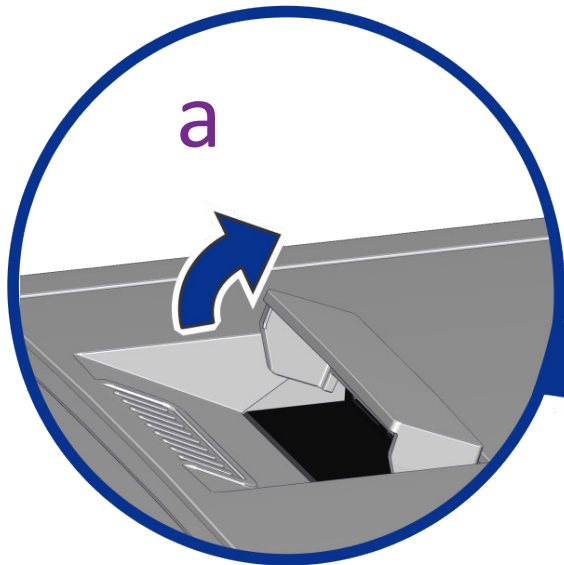
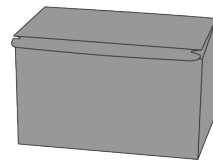


- 1 Power supply
- 2 Power cord
- 3 USB flash drive
- 4 USB cable
- 5 Cleaning swabs

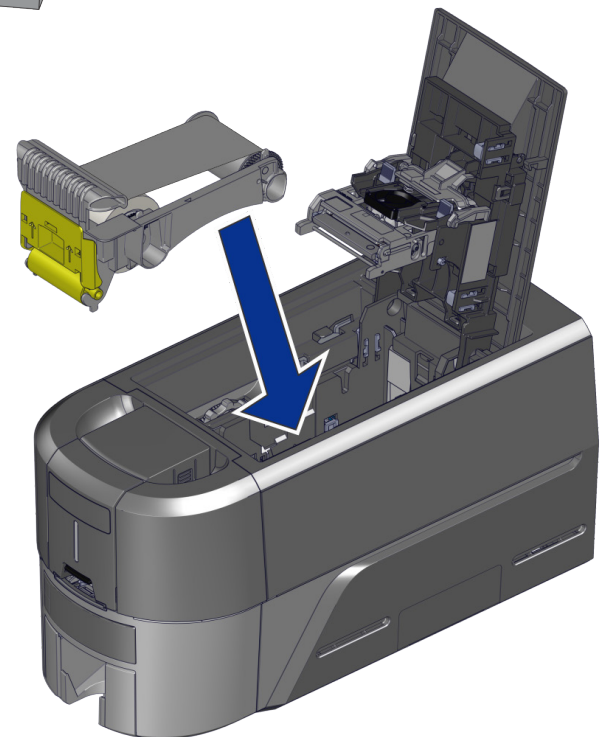


2

Refer to your ribbon supply box to prepare the ribbon.

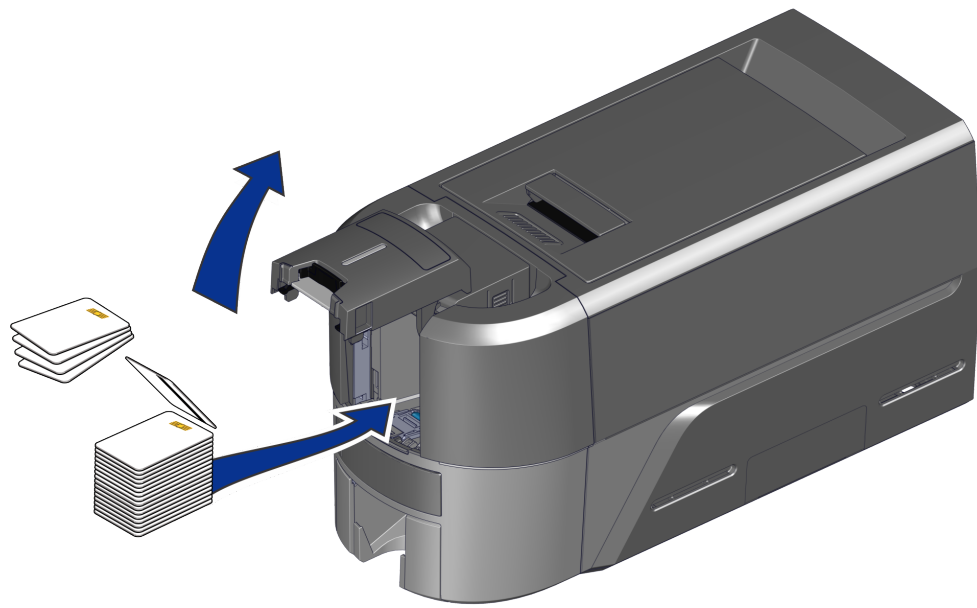


b

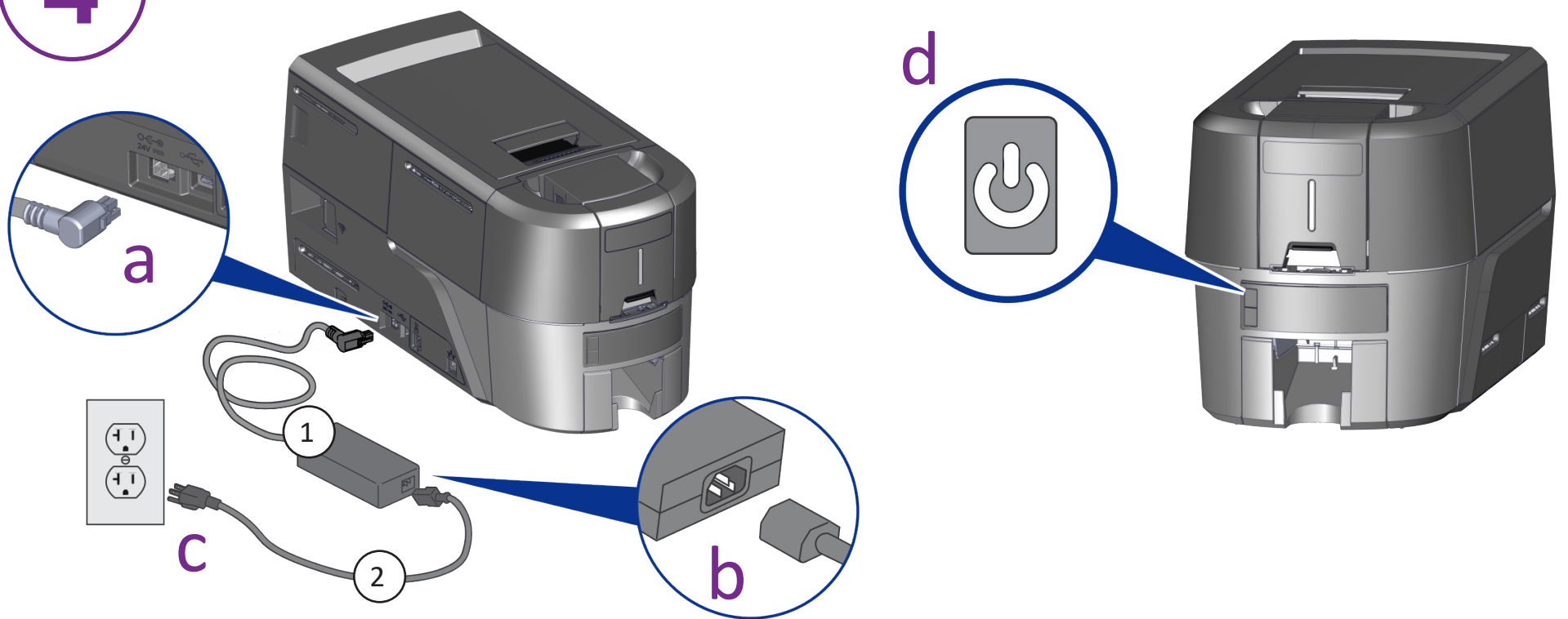


Continued

3



4



If you plan to connect the printer using the USB cable (4), do not plug in the cable until directed in the driver.

5

Scan for a 30-day trial of Entrust Instant ID as a Service.*

*Ethernet or optional Wi-Fi Module is required for cloud connectivity.

www.entrust.com/iidaas-trial



OR

Install the Driver provided on the USB flash drive (3), or download at:

www.entrust.com/sigma/printer-support/em/driver



If you plan to have a network connection with the printer, plug in the Ethernet cable, then press the User button for 2 seconds to print a test card with printers IP address.



WARNING: This product contains chemicals, including lead, known to the State of California to cause cancer, and birth defects or other reproductive harm. *Wash hands after handling.*

WARNING: This product can expose you to chemicals including Di(2-ethylhexyl)phthalate (DEHP), which is known to the State of California to cause cancer, and Di(2-ethylhexyl)phthalate (DEHP) and Butyl benzyl phthalate (BBP), which are known to the State of California to cause birth defects or other reproductive harm. For more information, go to www.P65Warnings.ca.gov and <https://www.entrust.com/legal-compliance/environmental-product-certifications>.