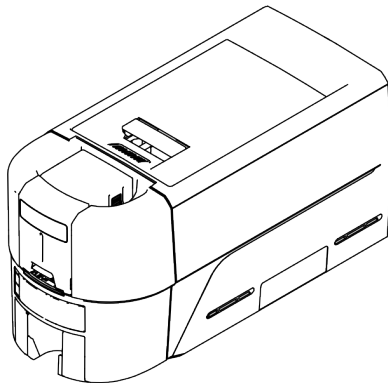




ENTRUST

User Reference Guide

EM1 and EM2 Direct to Card Card Printers

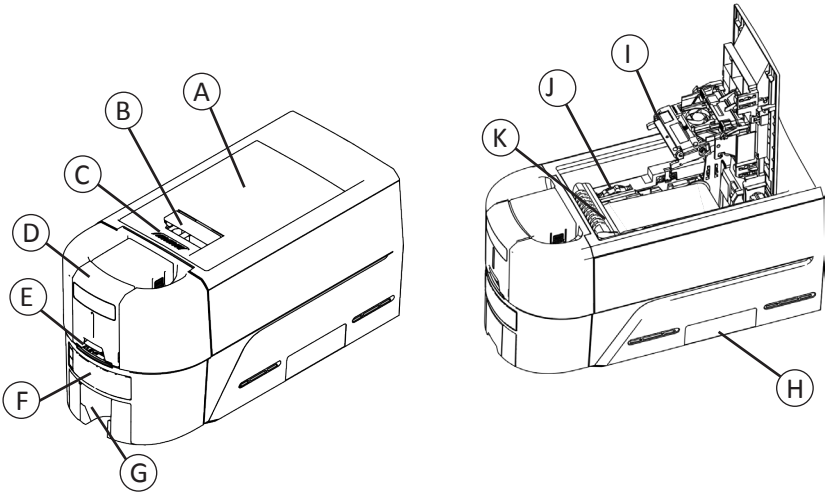


October 2020
528167-001, Rev A

Contents

The EM Direct to Card Printer	3
Front Panel	3
Load Cards in the Hopper	4
Use the Exception Slot.....	4
Load the Print Ribbon Cartridge.....	5
Install the Prefilled Ribbon Cassette.....	6
Empty the Reject Tray.....	7
Print Test Card with IP Address	7
Clear a Card Jam	8
Repair a Broken Print Ribbon.....	9
Check the Printer Power Connections	10
Check the Printer Data Connection	11
USB.....	11
Network.....	11
Common Driver Messages	12
Clean the Printer	13
Run the Cleaning Card	14
Clean the Printhead.....	15

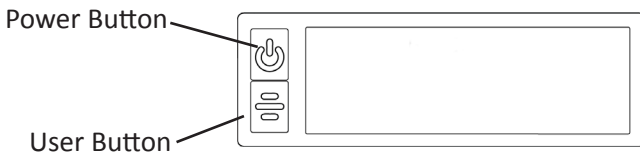
The EM Direct to Card Printer



- A = Printer Cover
- B = Cover Latch Handle
- C = Cover Ridges
- D = Input Hopper
- E = Exception Slot
- F = Front Panel
- G = Output Hopper

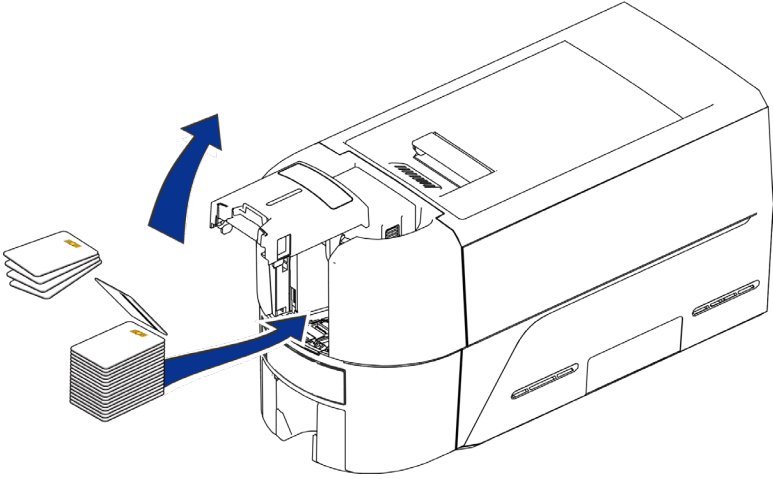
- H = Reject Tray
- I = Printhead
- J = Manual Advance Knob
- K = Ribbon Cartridge or Cassette

Front Panel

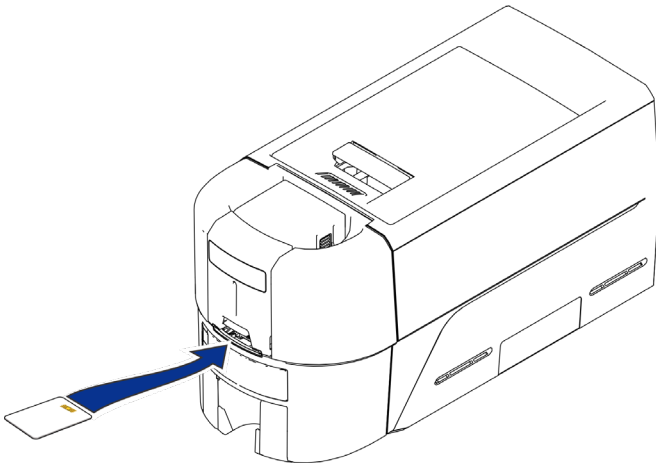


EM Direct to Card Printer

Load Cards in the Hopper

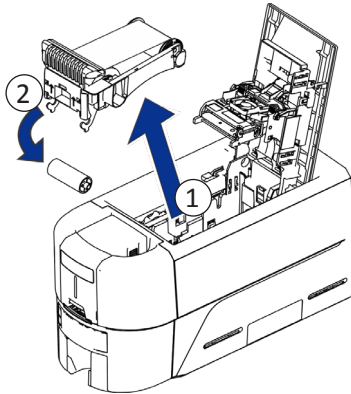


Use the Exception Slot

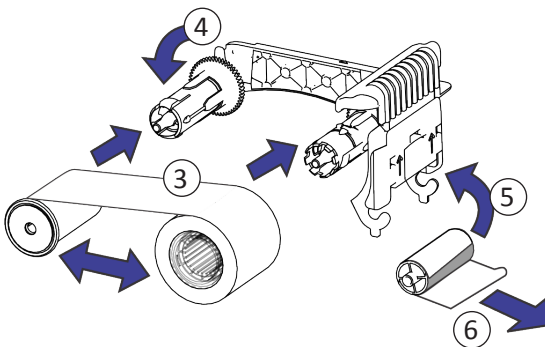


Load the Print Ribbon Cartridge

1. Open the printer cover and remove the print ribbon cartridge.
2. Remove the used ribbon spools and cleaning roller and discard them.



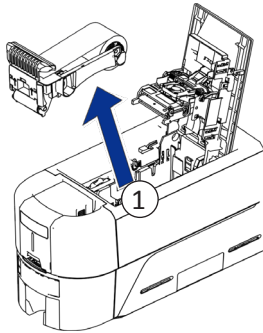
3. Load the print ribbon.
4. Turn the take-up spool counterclockwise.
5. Load the cleaning roller.
6. Remove the protective wrapper from the cleaning roller.



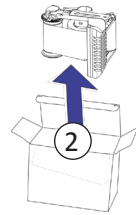
7. Replace the ribbon cartridge and close the printer.

Install the Prefilled Ribbon Cassette

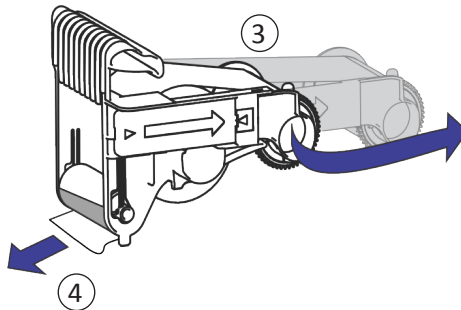
1. Open the printer cover and remove the used print ribbon cassette. Discard the cassette.



2. Remove the print ribbon cassette from its package. The cassette is shipped in a closed position.

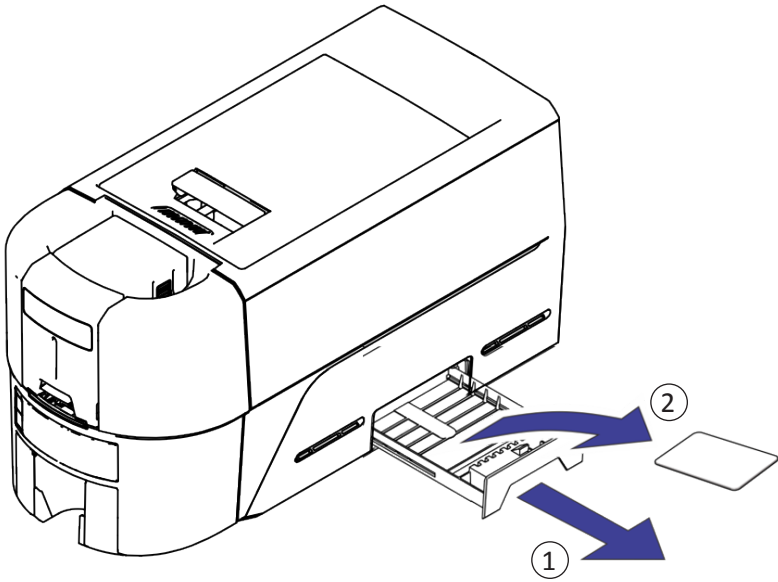


3. Extend the cassette to its fully open position. Pull out the front of the cassette until it clicks.
4. Remove the protective wrapper from the cleaning roller.

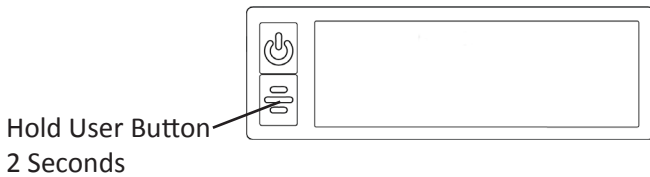


5. Install the cassette in the printer and close the printer cover.

Empty the Reject Tray

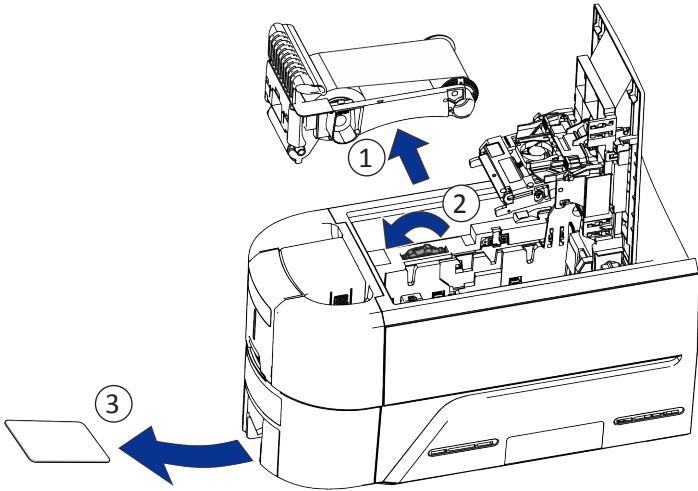


Print Test Card with IP Address

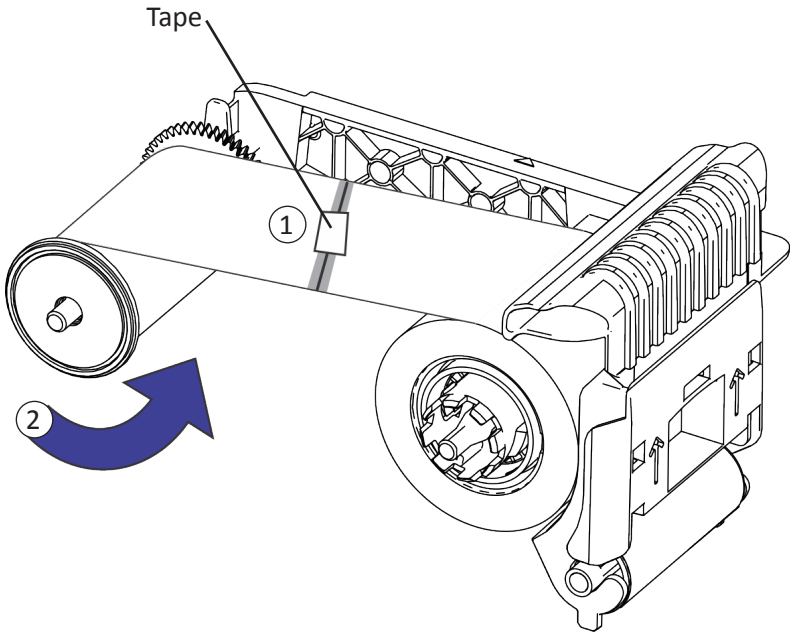


EM Direct to Card Printer

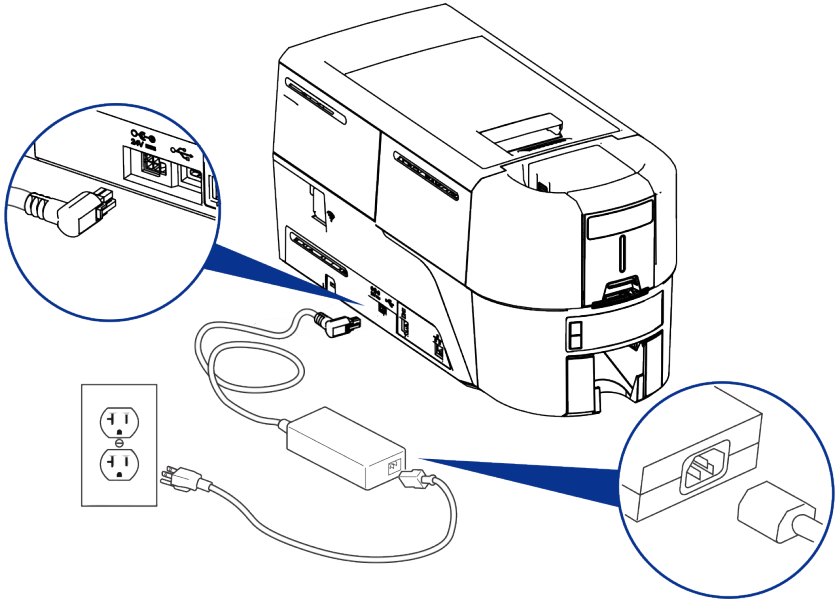
Clear a Card Jam



Repair a Broken Print Ribbon

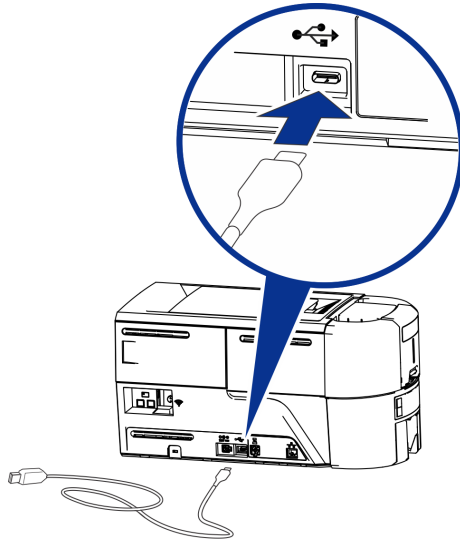


Check the Printer Power Connections

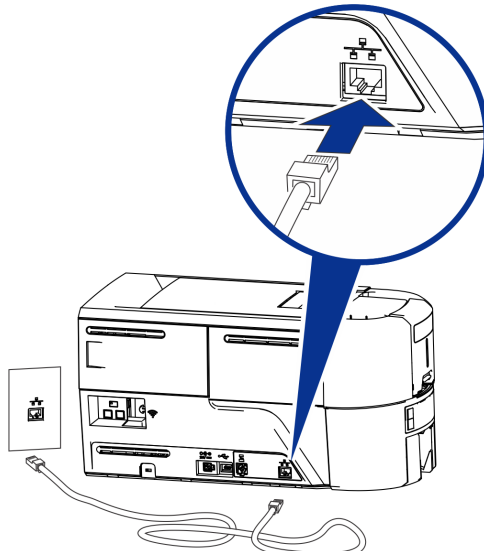


Check the Printer Data Connection

USB



Network



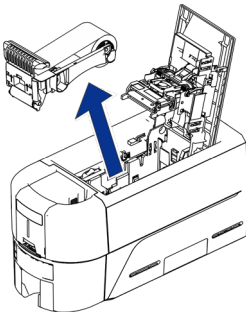
Common Driver Messages

Error Message	Refer to:
110: Print ribbon out or missing	“Load the Print Ribbon Cartridge” on page 5 “Install the Prefilled Ribbon Cassette” on page 6
112: Card hopper empty	“Load Cards in a Single-Hopper Printer” on page 4 “Use the Exception Slot” on page 4
118: Print ribbon type problem 119: Print ribbon not supported 121: Print ribbon not identified	“Load the Print Ribbon Cartridge” on page 5 “Install the Prefilled Ribbon Cassette” on page 6
172: Insert cleaning card	“Clean the Printer” on page 13
294: Cleaning required	“Clean the Printer” on page 14

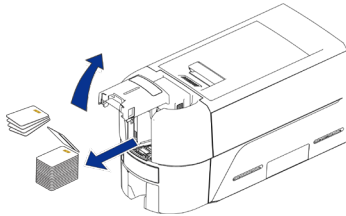
Clean the Printer

If the printer has locks, unlock the printer and input hopper.

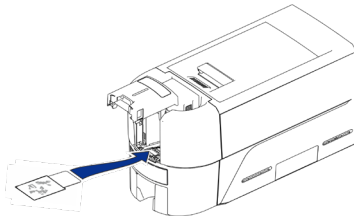
1. Open the printer cover and remove the print ribbon cartridge or cassette. Close the cover.



2. Open the input hopper cover and remove any unprinted cards.



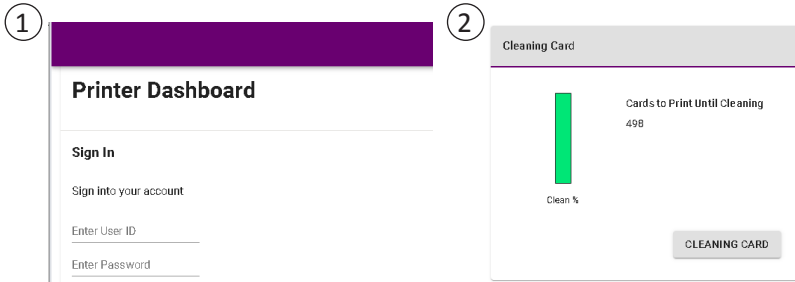
3. Insert the cleaning card in the input hopper.



4. Close the input hopper.
5. Continue with [“Run the Cleaning Card”](#) on page 14.

Run the Cleaning Card

Access Printer Dashboard and click **Cleaning Card**. Refer to the Printer's *Installation and Administrators Guide* on accessing Printer Dashboard.



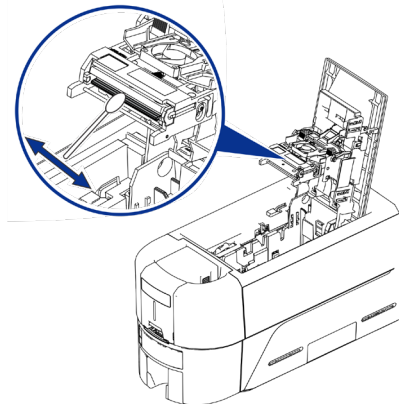
Remove the cleaning card from the output hopper and discard it.

Replace the print ribbon cartridge or the cassette in the printer, and the cards in the input hopper.

Clean the Printhead

Clean the printhead in the following situations:

- There are unprinted lines on the finished card. This usually indicates dirt or contaminants on the printhead.
 - The printhead is touched accidentally. Oils from hands can affect print quality and damage the printhead.
 - A ribbon break caused part of the ribbon to stick to the printhead or printhead cover.
 - The printhead has been replaced.
1. Power off the printer.
 2. Unlock the printer and open the printer cover.
 3. Open and remove a cleaning swab from its package.
 4. Lift the printhead protective cover. Use the sides of the cover to rotate it away from the printhead.
 5. Use gentle pressure to move the cleaning swab back and forth along the full length of the printhead edge until it is completely clean.
 6. Close the printer cover.
 7. Power on the printer.
 8. Print a sample card to verify the quality of printing.





ENTRUST

1187 Park Place
Minneapolis, Minnesota 55379
952.933.1223 • 952.933.7971 Fax
www.entrust.com

Entrust, Sigma and the hexagon design are trademarks, registered trademarks and/or service marks, and Datacard is a registered trademark and service mark, of the Entrust Corporation in the United States and other countries. All other trademarks are the property of their respective owners.

© 2020. The design and information contained in these materials is protected by US and international copyright law.