

**ENTRUST**

# Sigma DS Card Printers Quick Install Guide

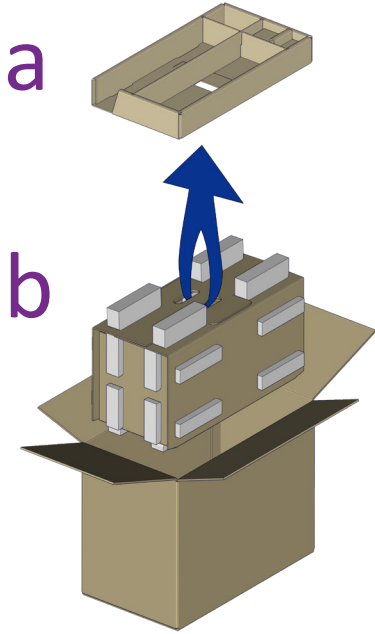


Do not continue unpacking this box until you have read these instructions.

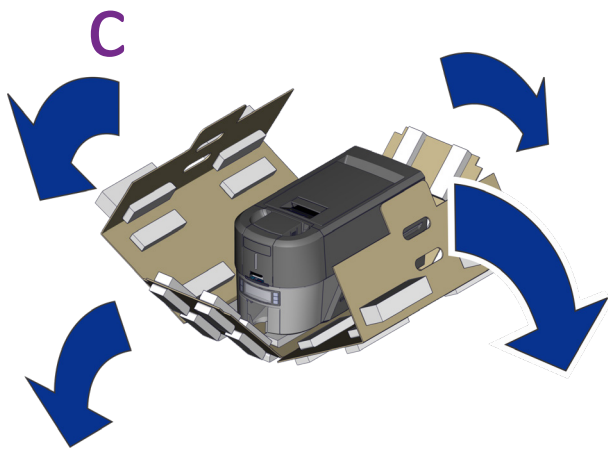


Read and follow these instructions to set up your Sigma printer.

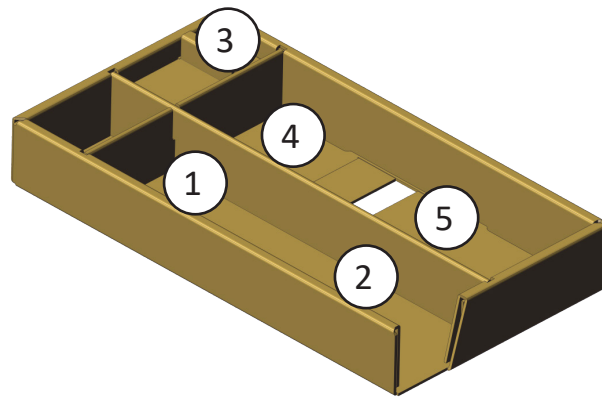
**1**



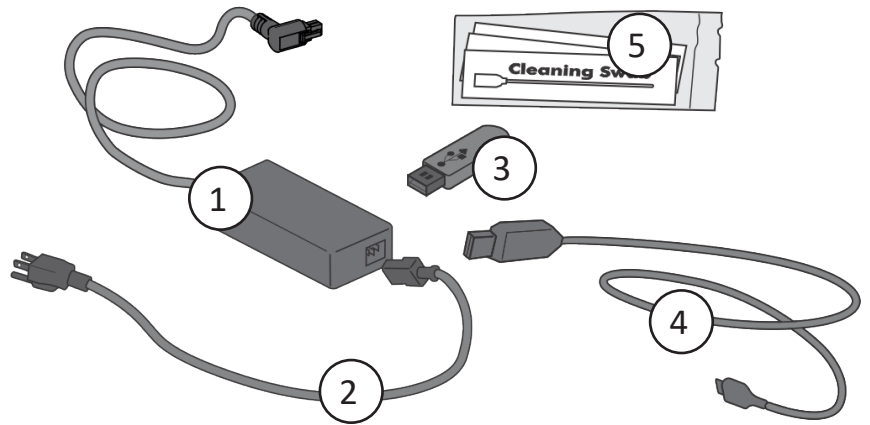
**b**



**d**

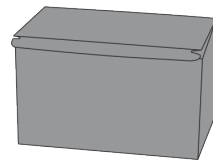


- 1 Power supply
- 2 Power cord
- 3 USB flash drive
- 4 USB cable
- 5 Cleaning swabs

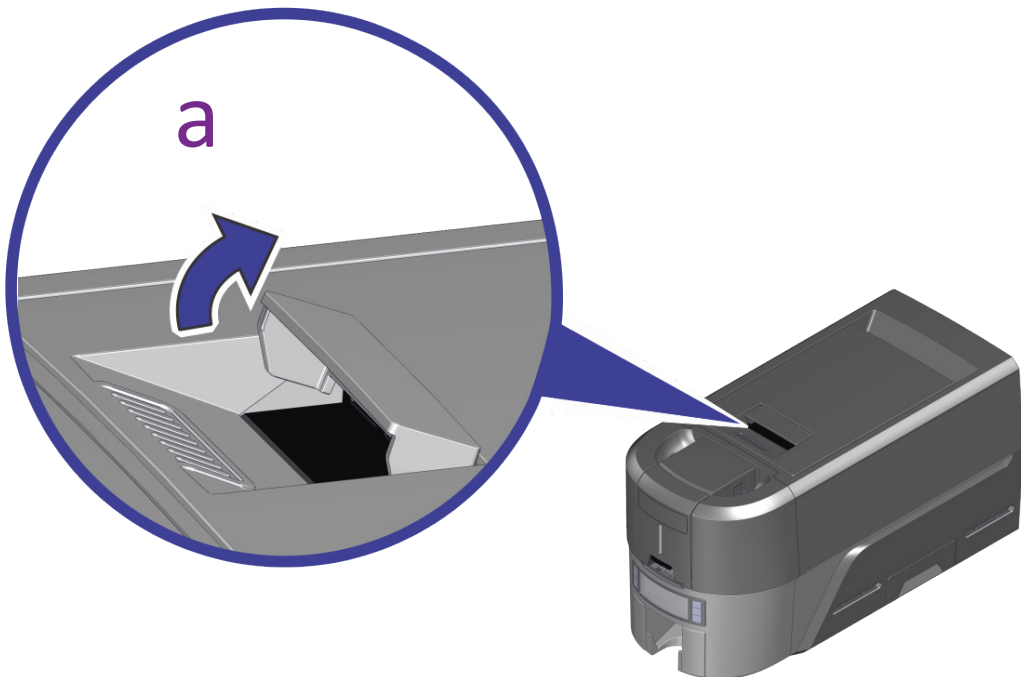


**2**

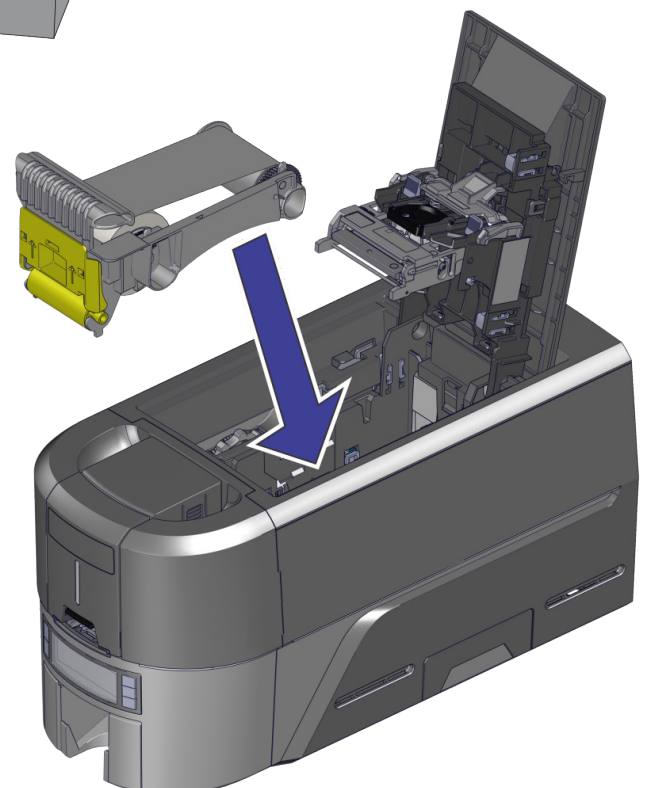
Refer to your ribbon supply box to prepare the ribbon.



**a**



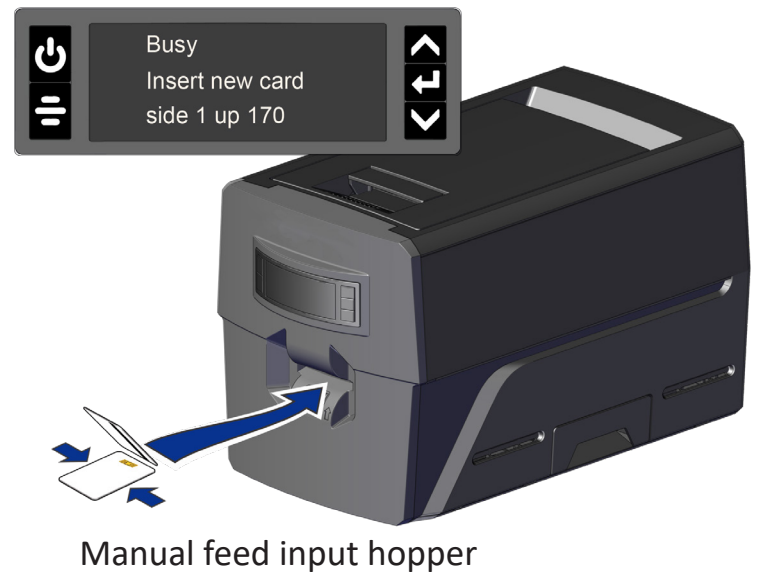
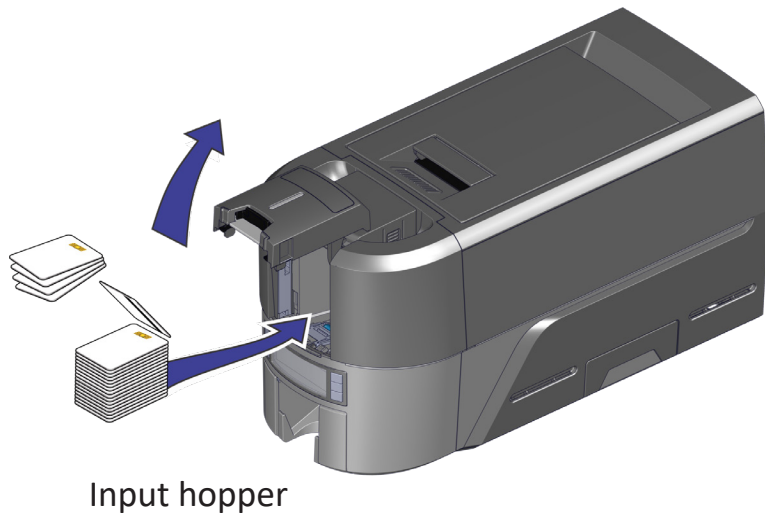
**b**



Continued

3

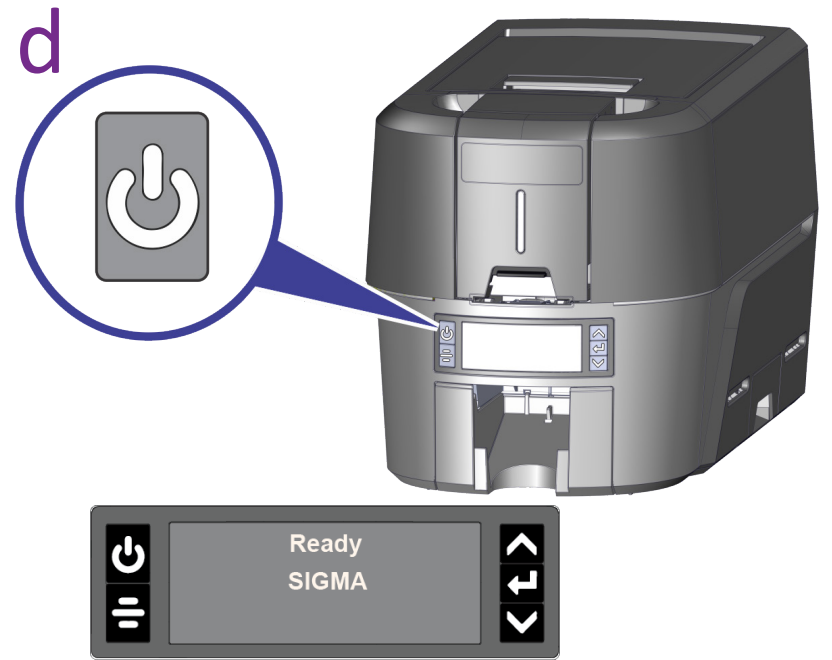
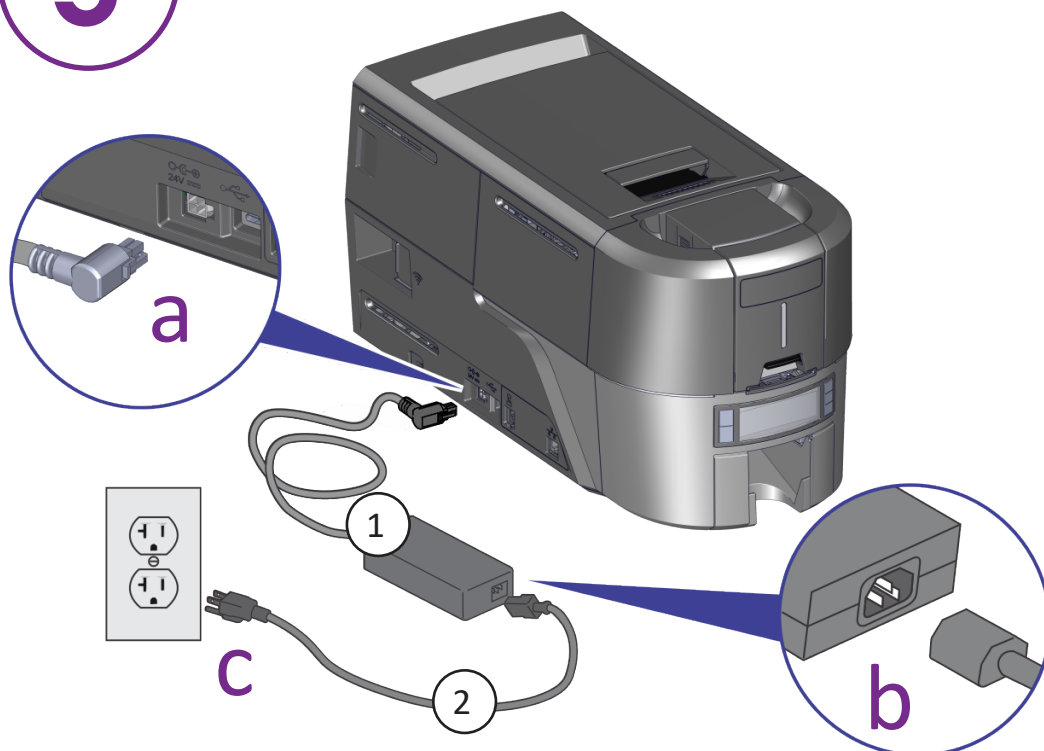
Load cards in the input hopper or load a single card when requested on manual feed input hopper units.



4

Refer to the Upgrade Kit instructions for each additional module you plan to add to the printer.

5



If you plan to connect the printer using the USB cable (4), do not plug in the cable until directed in the Driver.

6

Scan for a 30-day trial of Entrust Instant ID as a Service.\*

\*Ethernet or optional Wi-Fi Module is required for cloud connectivity.

[www.entrust.com/iidaas-trial](http://www.entrust.com/iidaas-trial)



OR

Install the Driver provided on the USB flash drive (3), or download at:

[www.entrust.com/sigma/printer-support/ds/driver](http://www.entrust.com/sigma/printer-support/ds/driver)

**WARNING:** This product contains chemicals, including lead, known to the State of California to cause cancer, and birth defects or other reproductive harm. *Wash hands after handling.*

**WARNING:** This product can expose you to chemicals including Di(2-ethylhexyl)phthalate (DEHP), which is known to the State of California to cause cancer, and Di(2-ethylhexyl)phthalate (DEHP) and Butyl benzyl phthalate (BBP), which are known to the State of California to cause birth defects or other reproductive harm. For more information, go to [www.P65Warnings.ca.gov](http://www.P65Warnings.ca.gov) and <https://www.entrust.com/legal-compliance/environmental-product-certifications>.